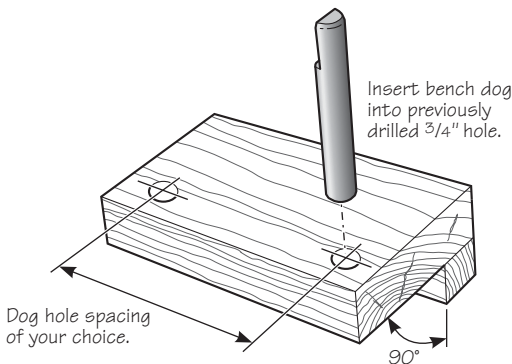


## Installation

Veritas® Bench Dogs can be used in holes drilled vertically or horizontally in a bench top. For retrofit, use a pre-drilled block (see **Figure 1**) to ensure 90° holes.



**Figure 1: Drilling holes using a shop-made jig.**

Veritas® Tools Inc.

814 Proctor Avenue  
Ogdensburg, New York  
13669-2205 USA

1090 Morrison Drive  
Ottawa, Ontario  
K2H 1C2 Canada