

Most planing operations done on a workbench do not require (nor is it recommended) that the workpiece be clamped in place, only that a stop be provided to resist the line of force imparted by the planing action. The anodized aluminum body on this low-profile planing stop projects only 0.22", allowing material as thin as 1/4" to be planed without obstruction.

The two steel posts are sized to fit in 3/4" diameter dog holes and slide along a T-track on the underside of the rail for easy, unlimited adjustment to suit the dog-hole spacing on a workbench. An O-ring on each steel post provides resistance, so the posts will stay in place. The stop is available in two sizes; the posts on the 9 3/4" length can be spaced up to 9" apart (center to center) while the posts on the 17 1/2" length can be spaced up to 16 3/4" apart.

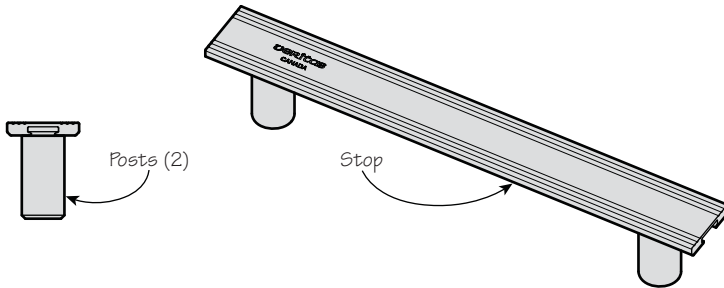


Figure 1: Planing stop parts.

For tasks that involve the application of horizontal force in one direction, such as planing, you can use a single stop with no additional clamping. Insert the head of each post into the groove on the underside of the T-track. Slide the posts along the rail until they line up with the dog holes in your workbench.

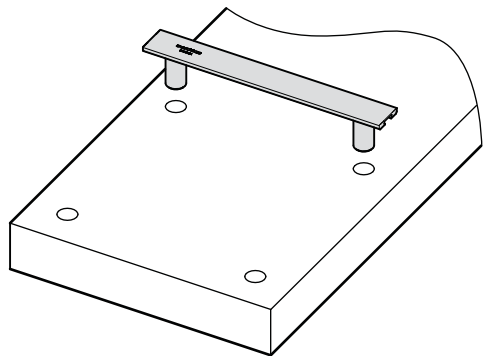


Figure 2: Lining up the posts with the dog holes in the workbench.

Insert the posts in the dog holes and press the planing stop down onto the workbench top. Position the end of the workpiece against the planing stop, and plane toward the stop.

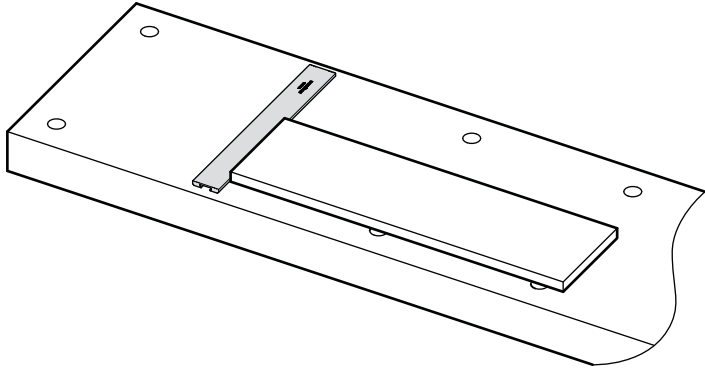


Figure 3: Positioning the workpiece against the planing stop.

Use two planing stops for larger workpieces or for cross-grain planing to prevent the board from rotating sideways as you plane. Position one planing stop as before and then place the second planing stop perpendicular to the first, as shown in **Figure 4**.

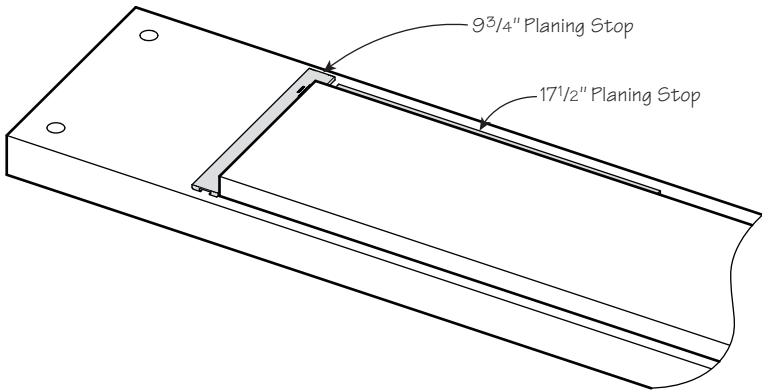


Figure 4: Using two planing stops for larger workpieces.

veritas® Tools Inc.

814 Proctor Avenue 1090 Morrison Drive
Ogdensburg NY 13669-2205 Ottawa ON K2H 1C2
United States Canada

customerservice@veritastools.com
www.veritastools.com