

The Veritas® Square Fence makes your framing square much easier to use during layout work. The face of the square fence aligns with the edge of the workpiece while the weight of the framing square rests on the material. Ideal for use on either round-edge material or sheet stock.

### Installation

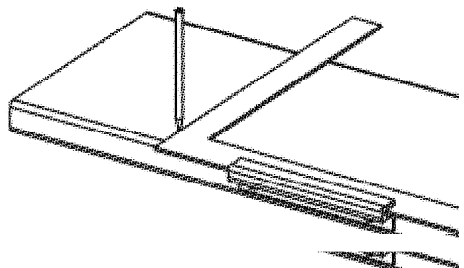
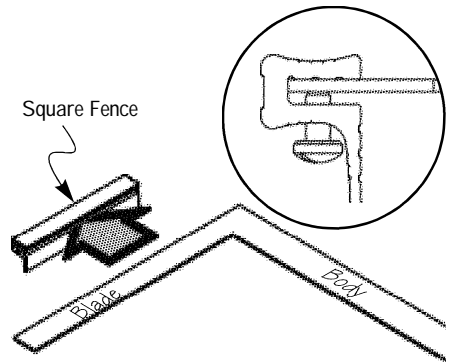
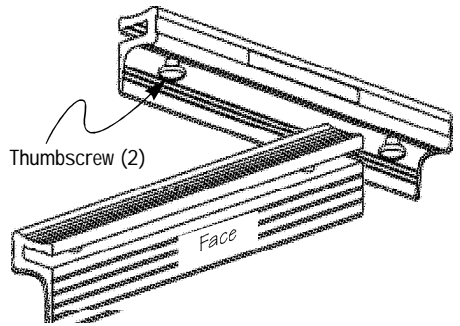
The square fence quickly and securely attaches to your framing square with two brass thumbscrews. The square fence can be mounted on either the body or blade of the framing square, depending upon the intended use. Slide the framing square fully into the slot in the square fence. This will ensure that the face of the square fence is parallel to the framing square. Tighten the two thumbscrews to secure in position.

### Instructions

Laying out material is now a simple matter of placing the framing square on the workpiece and holding the face of the square fence against the edge.

*Note: The dimensions as read on the leg of your framing square from the edge of the workpiece will be offset by 3/4" (the slot depth of the square fence). If using these graduations, remember to deduct 3/4" from your reading.*

When laying out sheet material, you have the option of laying the sheet flat on a bench or on the floor. Either way, you can still use the Veritas® Square Fence. Simply flip the square over and register the thinner flange of the square fence against the workpiece edge. This will work on sheets as thin as 1/4".



## Veritas® Tools Inc.

814 Proctor Ave  
Ogdensburg  
New York 13669  
USA

1090 Morrison Drive  
Ottawa  
Ontario K2H 1C2  
Canada