

Veritas® Jointer Fence

05P30.01

Patented

The Veritas® Jointer Fence allows you to shoot accurate and consistent square or bevelled edges with all iron or steel bench planes. The integral rare-earth magnets make it quick and easy to attach or remove the fence from either side of all sizes of bench planes, from a smooth plane (no. 4) to a jointer (no. 8). Though it may trouble you to find that the fence may not be perfectly square to the sole of your plane, this is not a problem, as the important relationship is between the blade and the fence, and this can be adjusted using the blade lateral adjustment on the plane. As supplied, it can be used to plane edges perfectly square to the face of your workpiece. It can also be used to shoot angles less than 90° when a bevelled wooden guide is attached to the inside face of the fence.

Set-Up

When first using the Veritas Jointer Fence, all you need to do is screw the stop into the appropriate hole for the size of plane it is to be used with. As well, it can be set up for either right- or left-handed use.

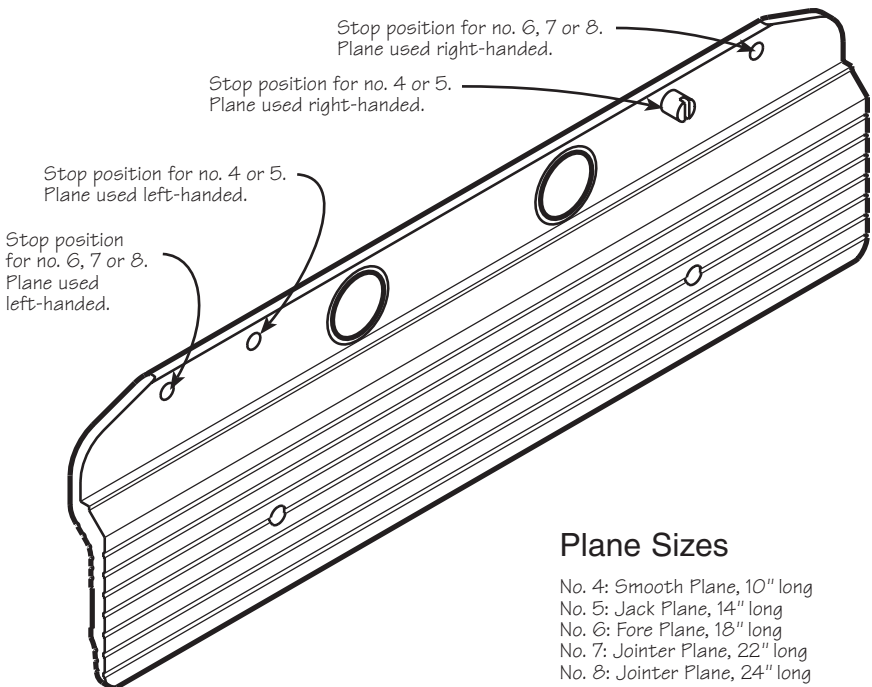


Figure 1: Set-up.

Installation

The Veritas Jointer Fence quickly and securely attaches to your plane through the use of powerful rare-earth magnets. Simply bring the fence up to the side of the plane until the step in the fence makes contact with the sole of your plane, then pull back on the fence until the stop engages the plane wing. Check that the stop is in the correct position by ensuring that both magnets are in contact with the side of the plane.

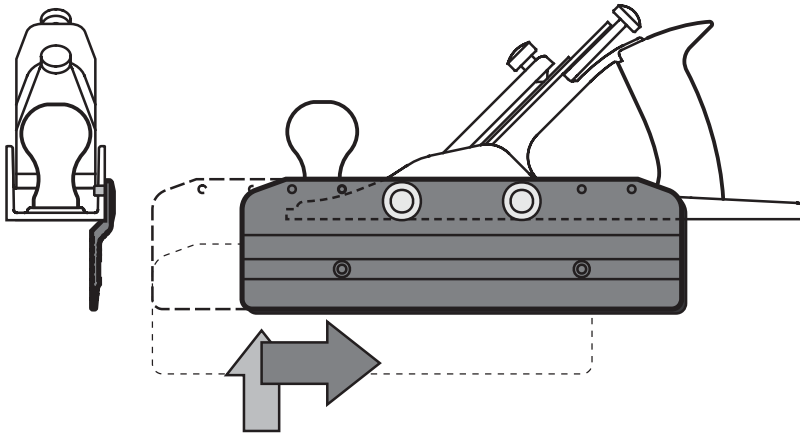


Figure 2: Installation.

Instructions

It is important that the fence be held firmly against the face of the workpiece being planed in order to get accurate results. This ensures that the fence will govern the plane's orientation, not the sole. Press the fence firmly **against the workpiece** with your forward hand and push the plane with your other hand. *Note: Should the fence move in relation to the plane, it means that you are pushing forward on the fence and not just holding it against the workpiece.*

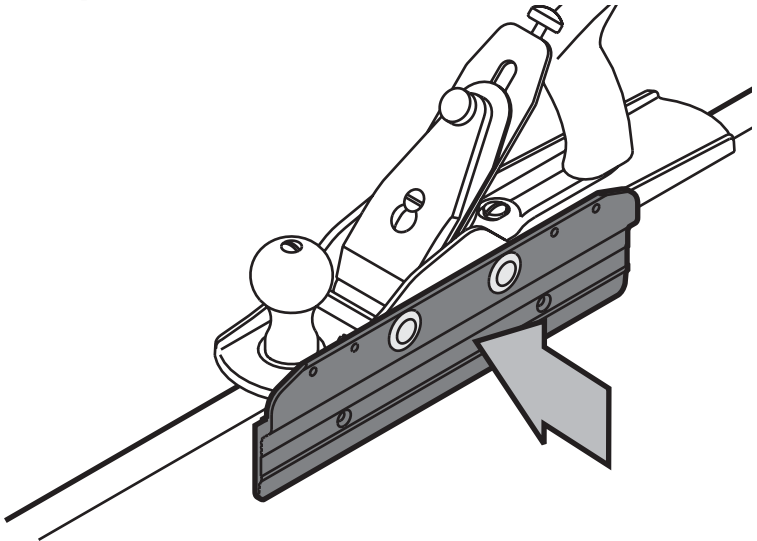


Figure 3: Fence held firmly against workpiece.

Accurately Setting the Angle

*Note: Because not all planes have their wings perfectly square to the sole and the fence itself is only square within manufacturing tolerances, when mounted, the fence may not be square to the plane sole. Fortunately, what is important is the relationship of the **blade** to the fence, not the blade to the sole. You can compensate for lack of squareness by setting the lateral adjustment of the blade until the cutting edge is at right angles to the fence. You know it is square when you can take shavings of the same thickness by alternating planing from either end of the workpiece. Because one of the directions will be against the grain, do this only on a test piece, preferably one with straight grain.*

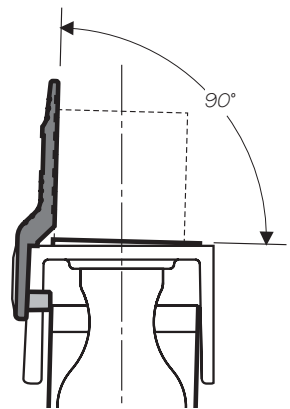


Figure 4:
Setting the angle.

Angles Other than 90°

Bevel angles other than 90° can be achieved by attaching a bevelled piece of wood to the fence using #10 flat-head screws through the countersunk holes.

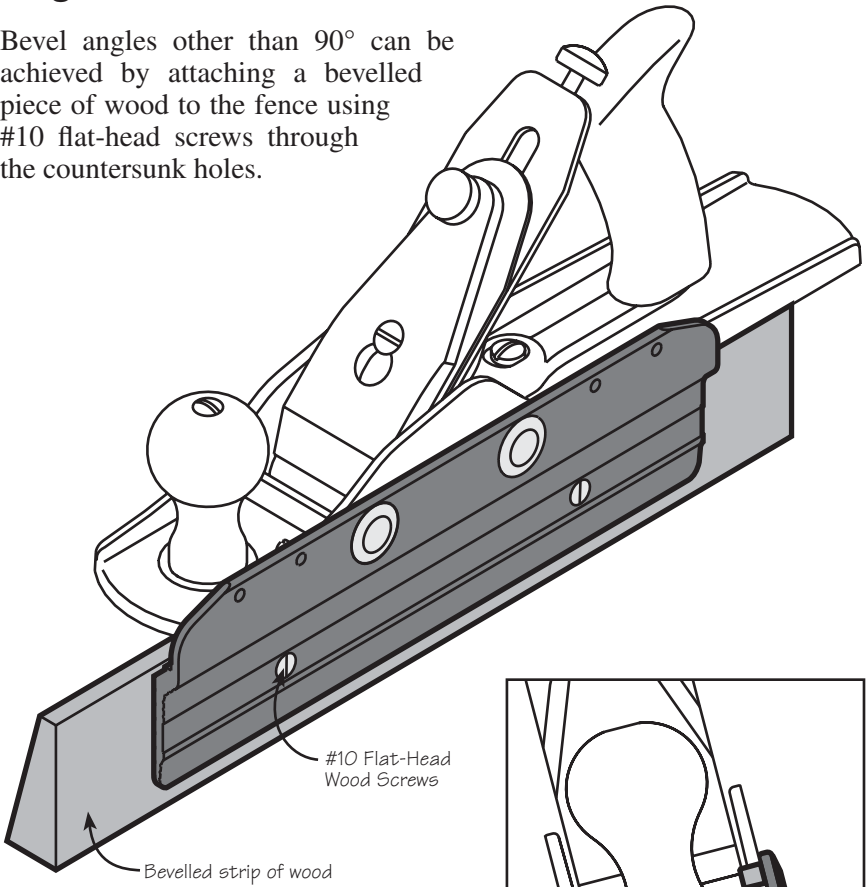


Figure 5: Attaching bevelled piece of wood to inside face of fence to shoot bevelled edges.

veritas® Tools Inc.

814 Proctor Avenue
Ogdensburg, New York
13669-2205 USA

1090 Morrison Drive
Ottawa, Ontario
K2H 1C2 Canada